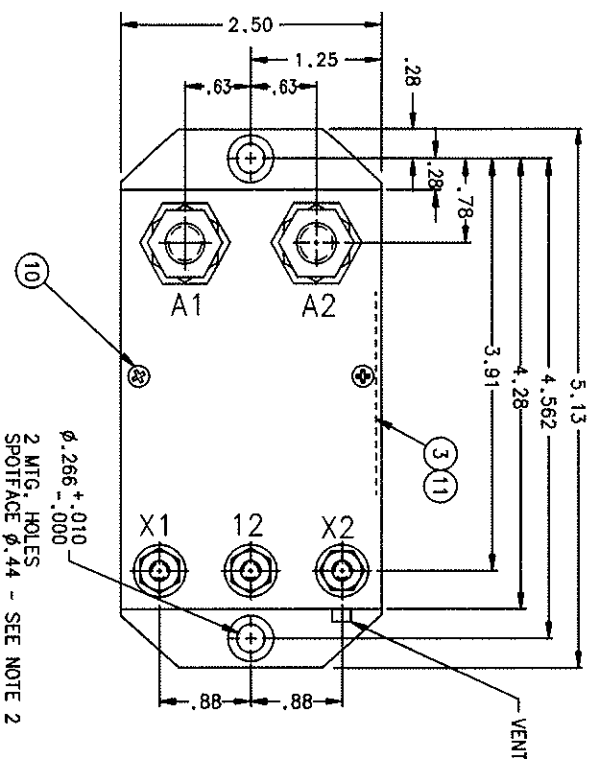


REV. 1		A-770N	
REV.	RELEASED	DATE	APPROVED
0507-02	REDRAWN; ADDED ITEM 11	02/06/04	[Signature]



VENT (LOC OPT)

MAXIMUM OPERATING VOLTAGE 29 VOLTS

PICKUP VOLTAGE (MAX) 18 VOLTS

11.5 VOLTS AT -65°F

DROPOUT VOLTAGE 7⁺⁰/_{-5.5} VOLTS

RATED CONTACT LOAD 300 AMP

COIL CURRENT AT 25°C .4 AMP

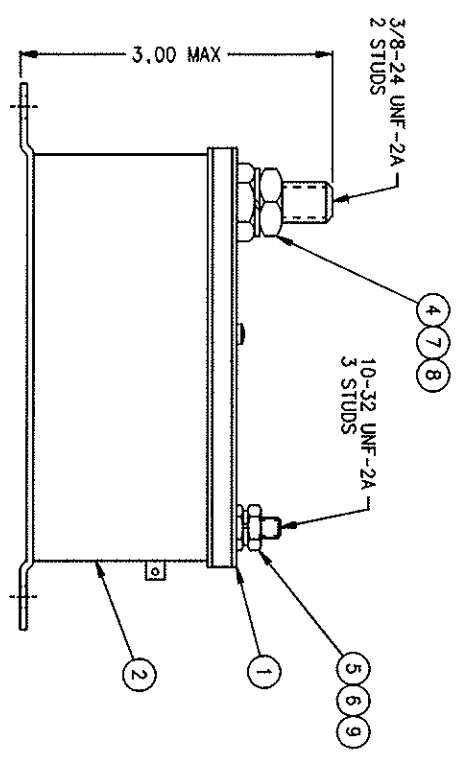
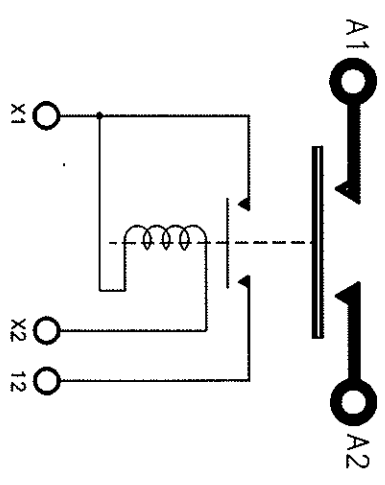
MINIMUM OPERATING PERIOD 3 HOURS

MINIMUM OPERATING CYCLES 50,000

MAXIMUM WEIGHT 1 LB., 15 OZ.

RATED DUTY CONTINUOUS

AUX. CONTACT 10 AMP, 28 VDC



NOTES:

1. TOR FRANCES ON ALL TERMINAL LENGTHS TO BE ± .06.
2. FOR ELECTRICAL PURPOSES, EXPOSE BARE METAL BY SANDING BOTTOM OF BOTH MOUNTING SURFACES AND SPOTFACE TOP OF MOUNTING HOLES Ø.44

11	1	39529-001	OVERLAY					
10	2	51200-020	SCREW - NO. 4 X 1/4 SHT., METAL					ST. STEEL
9	3	51810-054	WASHER - LOCK, NO. 10					BRONZE
8	2	51807-084	WASHER - 688 X 3/8 X .094					BRONZE
7	2	51704-024	WASHER - 5/8 X 25/64 X .062					BRASS
6	3	51702-844	WASHER - 3/8 X 13/64 X .032					BRASS
5	3	50410-084	NUT - 10-32 X 3/8 X 7/32 HEX					BRASS
4	2	50407-164	NUT - 3/8-24 X 5/8 X 7/32 HEX					BRASS
3	1	16043-001	NAMEPLATE					
2	1	14520-060	CONTACTOR ASSEMBLY - PRIMARY					
1	1	10403-004	PLATE - COVER					

UNLESS OTHERWISE SPECIFIED TOLERANCES IN DIMENSIONS ARE IN INCHES		2 PL. DEC. 13 PL. DEC. ANGLES	
* .03	* .000	* .1°	
MATERIAL			
DR BY	CSC	02/09/06	
CHK BY	CC	02/09/06	
ENGR	CS	02/09/06	
MFG	CS	02/09/06	
SIZE	CODE IDENT		
C	74063		

tyco Electronics

Hardmont Division, 175 N. Diamond Street, Mansfield, Ohio 44922

CONTACTOR - CONTINUOUS DUTY
300 AMP, 28 VOLTS

DWG NO. A-770N

REF TYCO P/N 3-1616058-3

SCALE 1/1 SHEET